

DIGA-BARA



Move all types of materials

Foundations and drainage

Landscaping

Load skips

Mix materials

Work on tight sites

- Diga Bara range designed and built in the UK To suit excavators from 1.0 - 3.0 tonnes; also RTV's and compact tractors
- Simple, robust and virtually maintenance free
- Manufactured using high grade structural and wear resistant steels for exceptional durability
- 'Dig and shift' - a 'one man operation'!
- Tipping mechanism activated by digger bucket
- Scoop out and place material with digger bucket
- Lifting eyes for horizontal and vertical lifting
- Simple to transport

"Perfect Partners"



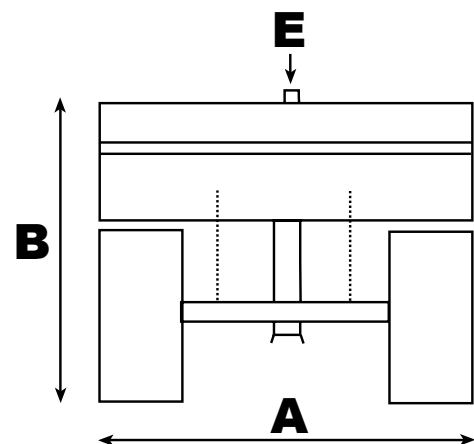
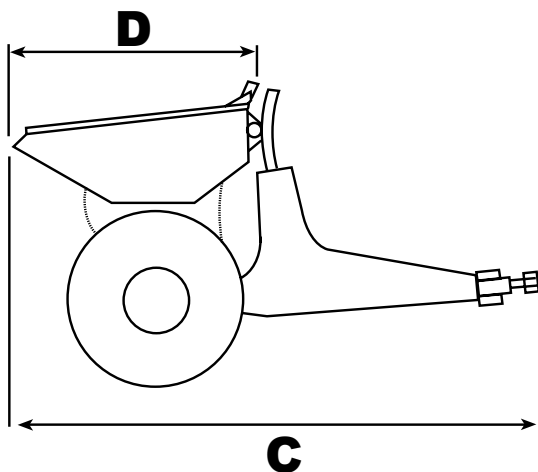
The Attachment Specialist

Exac-One Ltd
 The Mount Buildings
 Upton on Severn
 Worcs
 WR8 0QL
 United Kingdom

Tel: +44(0)1684 593052
 Fax: +44(0)1684 592249
 info@exac-one.co.uk
 www.exac-one.co.uk
 June 2018

Diga Bara Technical

		DB 1150	DB 1300	DB 1500
A	mm	1150	1345	1545
B	mm	1020	1020	1020
C	mm	2170	2170	2170
D	mm	1000	1000	1000
MGW	kg	600	650	750
Nett weight	kg	225	235	245
Struck capacity	l	340	380	450



We reserve the right to change specifications & prices without prior notification